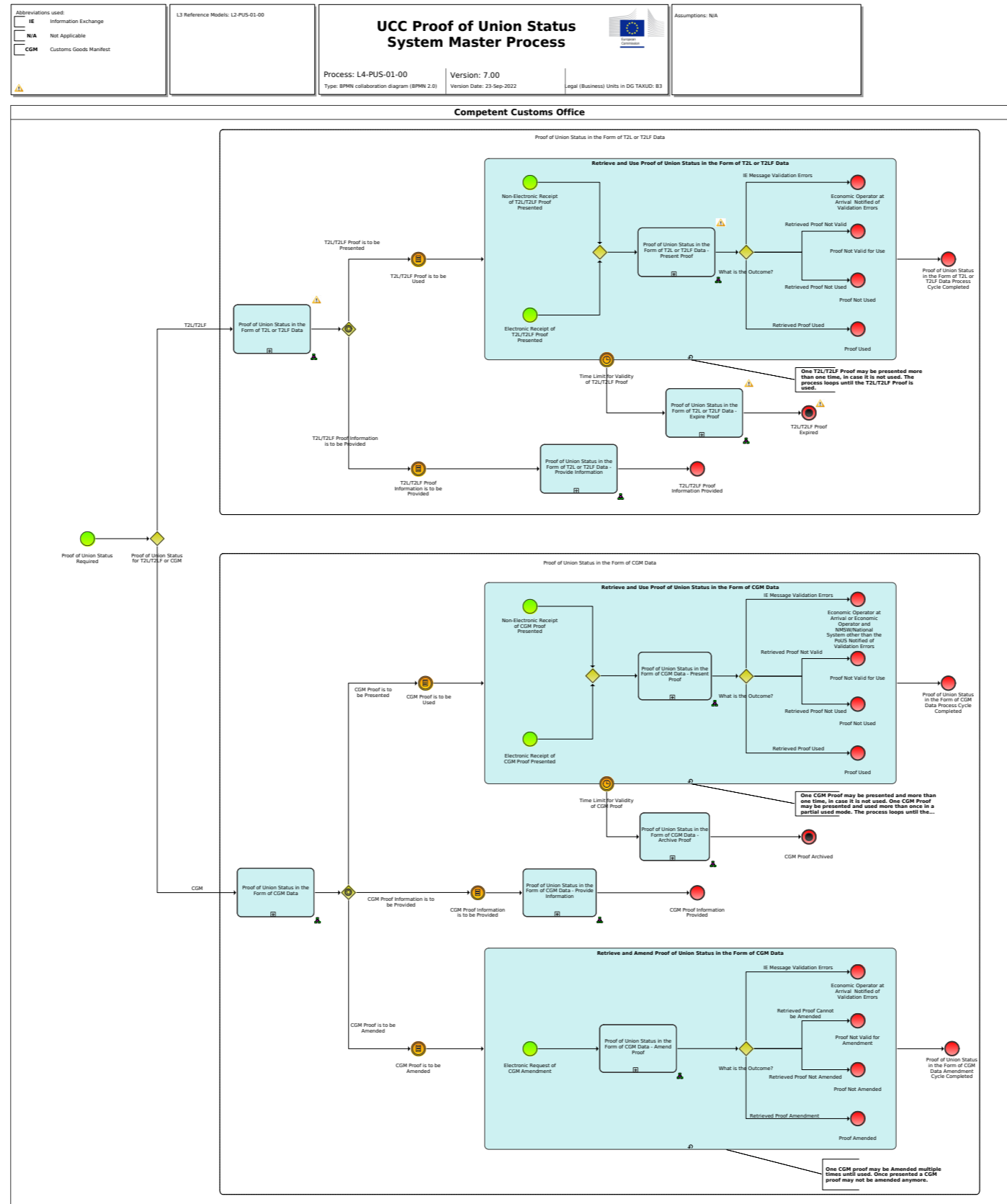
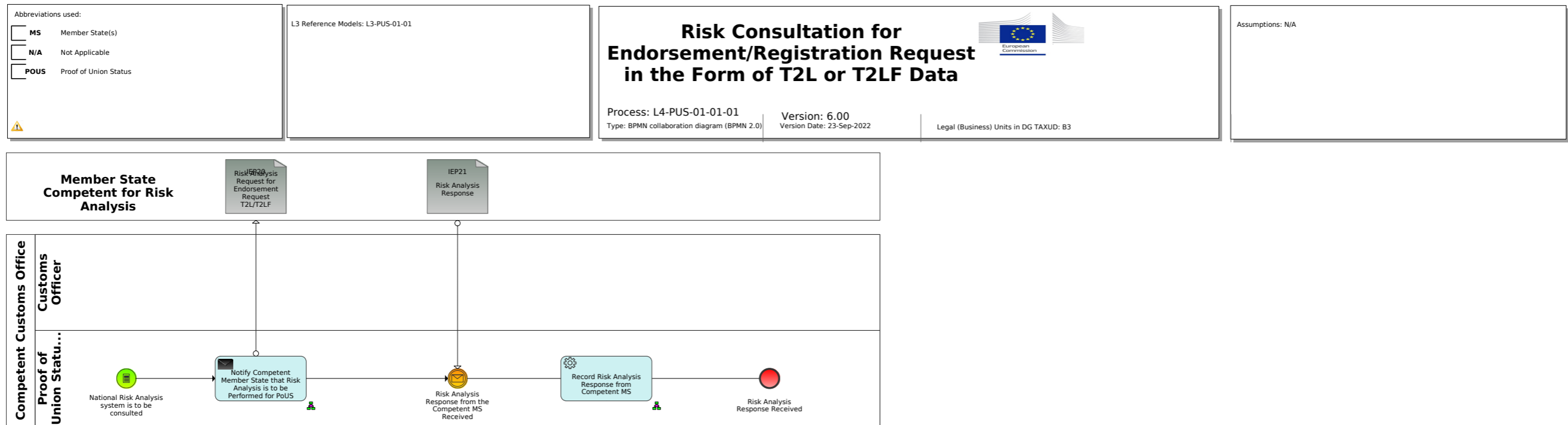


## **ANNEX 1: MODEL GRAPHICS**

**Process L4-PUS-01-00-UCC Proof of Union Status System Master Process**

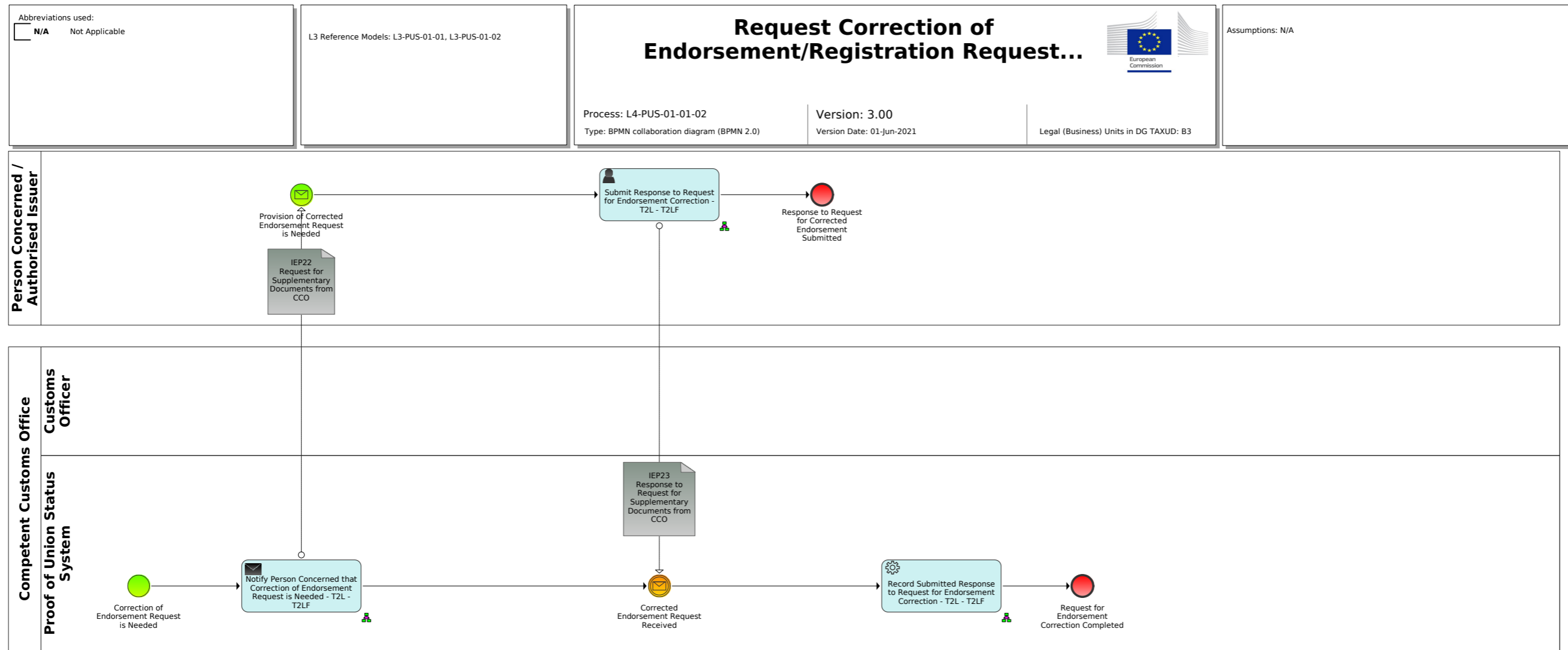


Process L4-PUS-01-01-01-Risk Consultation for Endorsement/Registration Request in the Form of T2L or T2LF Data




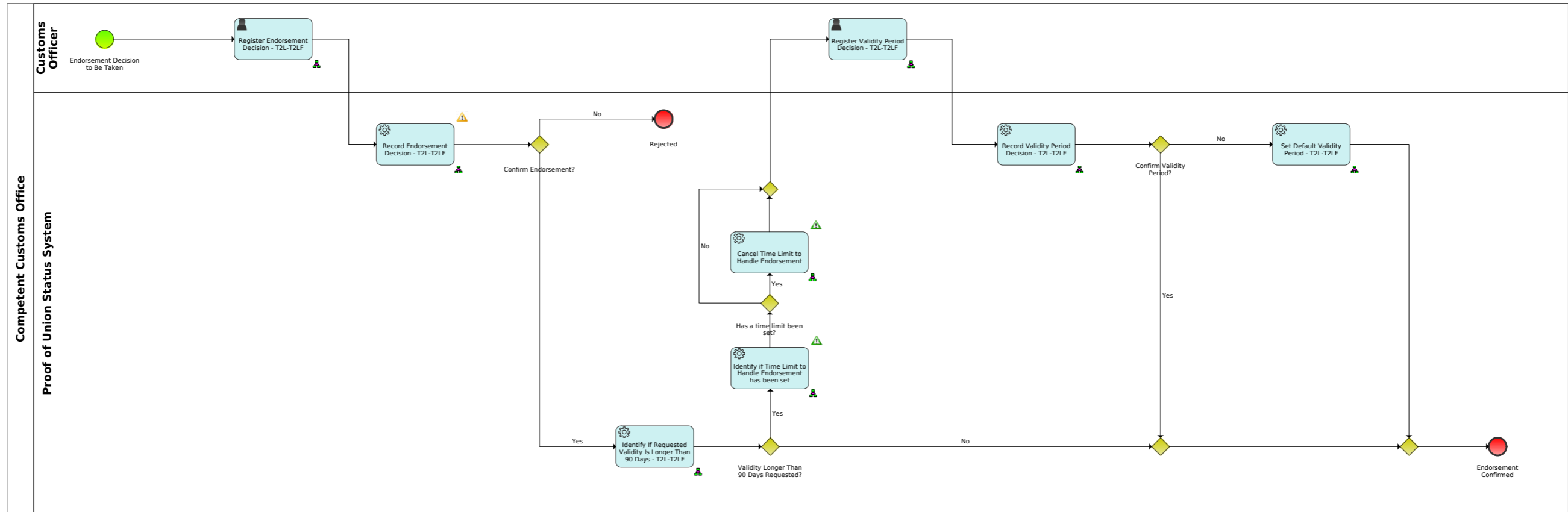


Process L4-PUS-01-01-02-Request Correction of Endorsement/Registration Request in the Form of T2L or T2LF Data (Obsolete)




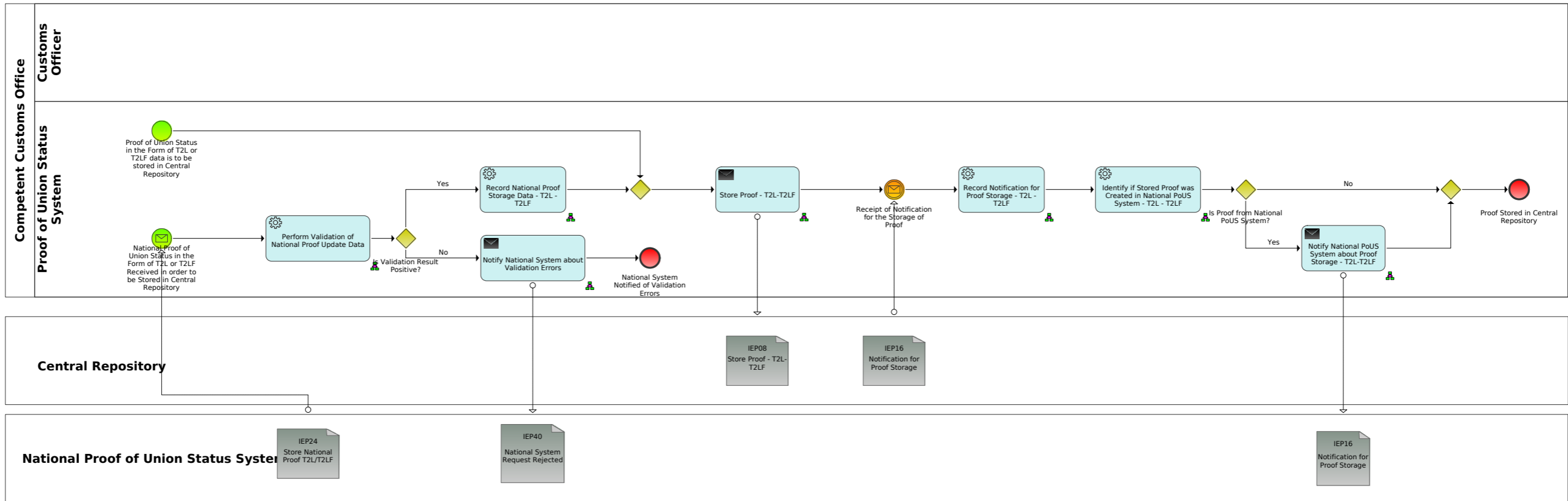
Process L4-PUS-01-01-03-Handle Endorsement of a Proof in the Form of T2L or T2LF Data

Abbreviations... <input type="checkbox"/> N/A Not Applicable	L3 Reference Models: L3-PUS-01-01	<h3>Handle Endorsement of a Proof in the Form of T2L or T2LF Data</h3>  <p>Process: L4-PUS-01-01-03                  Type: BPMN collaboration diagram...</p> <p>Version: 6.00                  Version Date: 23-Sep-2022</p> <p>Legal (Business) Units in DG                  TAXUD: B3</p>	Assumptions: N/A
---	-----------------------------------	--	------------------

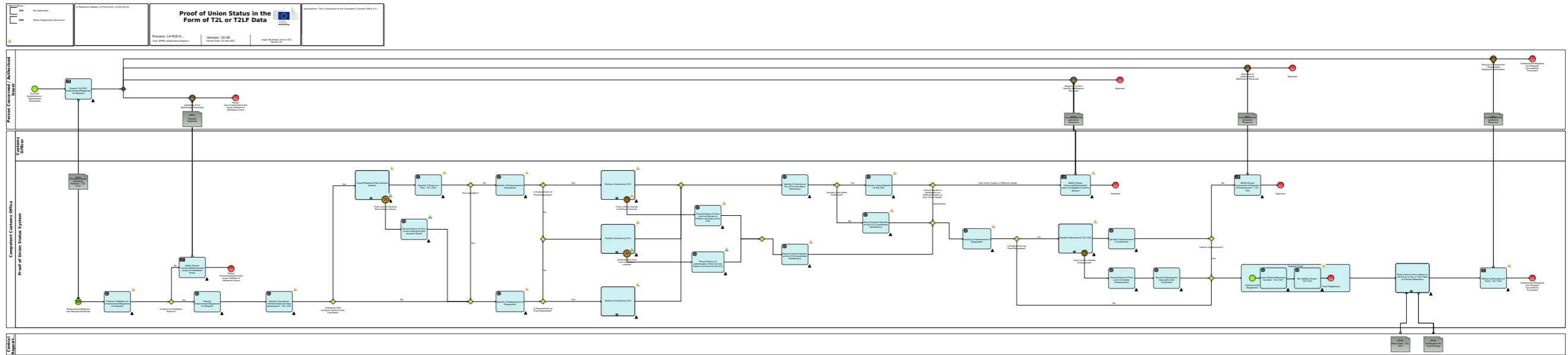


Process L4-PUS-01-01-04-Store Proof of Union Status in the Form of T2L or T2LF Data in Central Repository

Abbreviations used: N/A Not Applicable POUS Proof of Union Status	L3 Reference Models: L3-PUS-01-01, L3-PUS-01-02	<h3>Store Proof of Union Status in the Form of T2L or T2LF Data in Central Repository</h3>  <p>Process: L4-PUS-01-01-04   Version: 5.00                  Type: BPMN collaboration diagram (BPMN 2.0)   Version Date: 23-Sep-2022   Legal (Business) Units in DG TAXUD: B3</p>	Assumptions: N/A
---	---	--	------------------

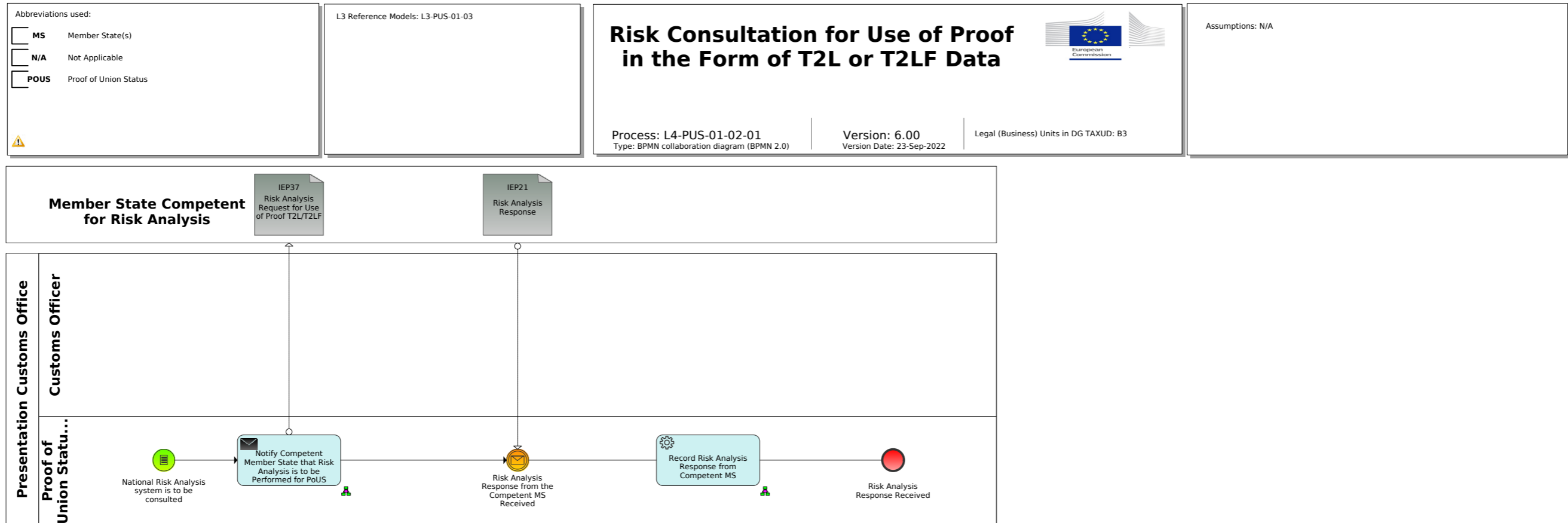


Process L4-PUS-01-01-Proof of Union Status in the Form of T2L or T2LF Data




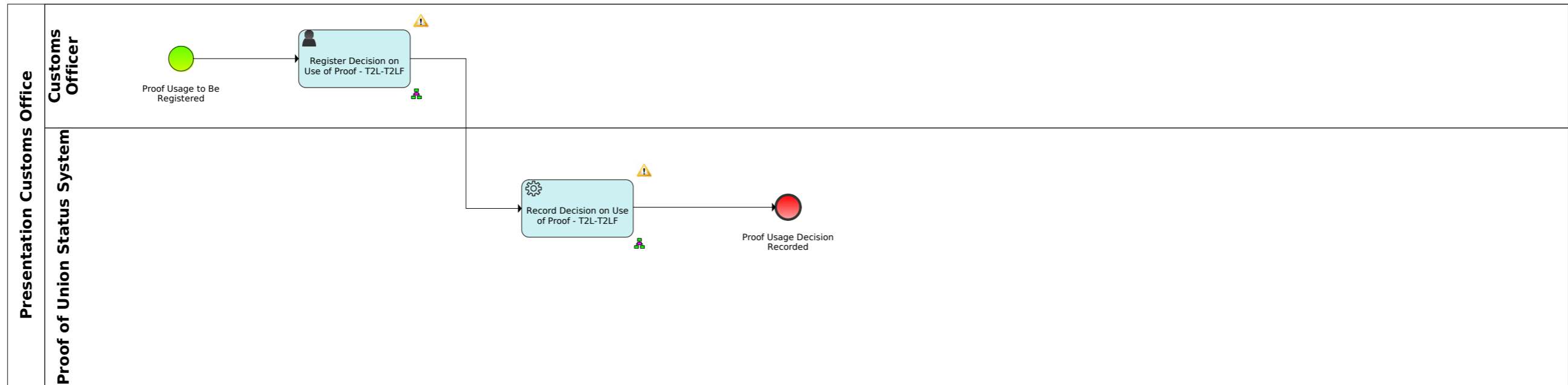


Process L4-PUS-01-02-01-Risk Consultation for Use of Proof in the Form of T2L or T2LF Data

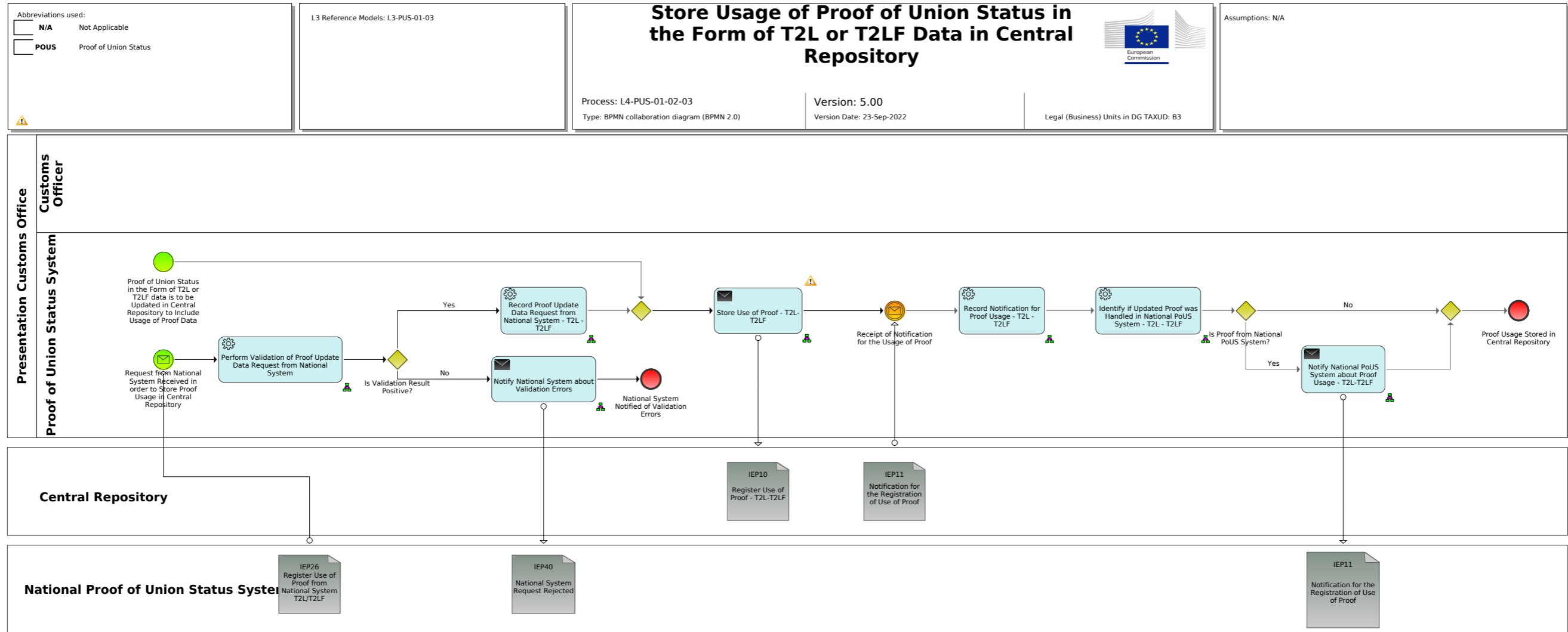


Process L4-PUS-01-02-02-Handle Proof Usage Registration in the Form of T2L or T2LF Data

Abbreviations used: N/A Not Applicable	L3 Reference Models: L3-PUS-01-03	<h2 style="text-align: center;">Handle Proof Usage Registration in the Form of T2L or T2LF Data</h2> <div style="display: flex; justify-content: space-between;"><div><p>Process: L4-PUS-01-02-02 Type: BPMN collaboration diagram (BPMN 2.0)</p></div><div><p>Version: 6.00 Version Date: 23-Sep-2022</p></div><div><p>Legal (Business) Units in DG TAXUD: B3</p></div></div>		Assumptions: N/A
---	-----------------------------------	---	--	------------------

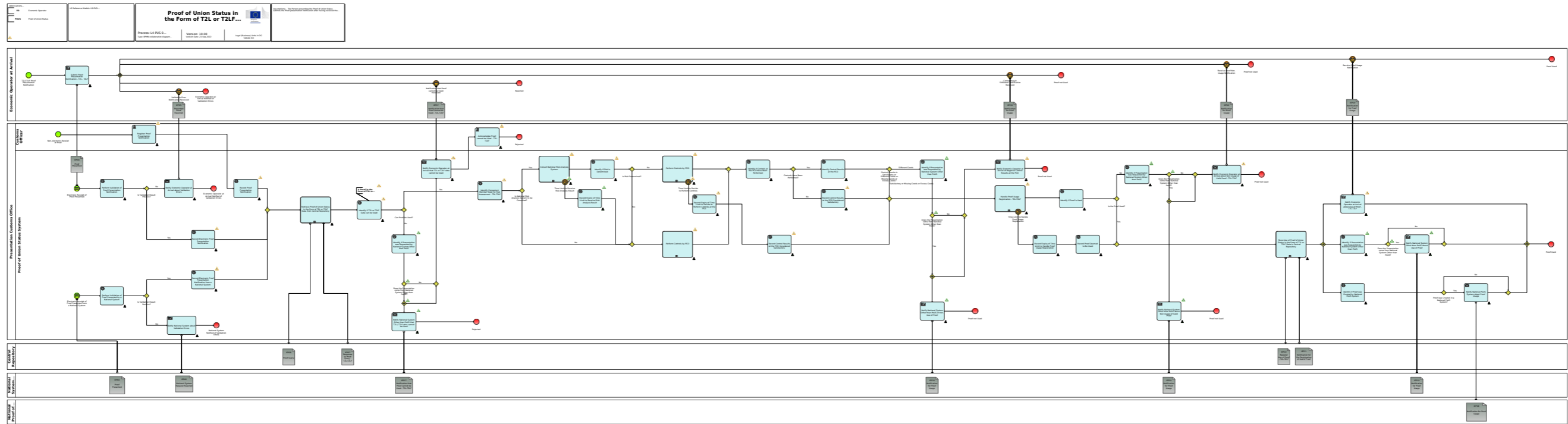


Process L4-PUS-01-02-03-Store Usage of Proof of Union Status in the Form of T2L or T2LF Data in Central Repository

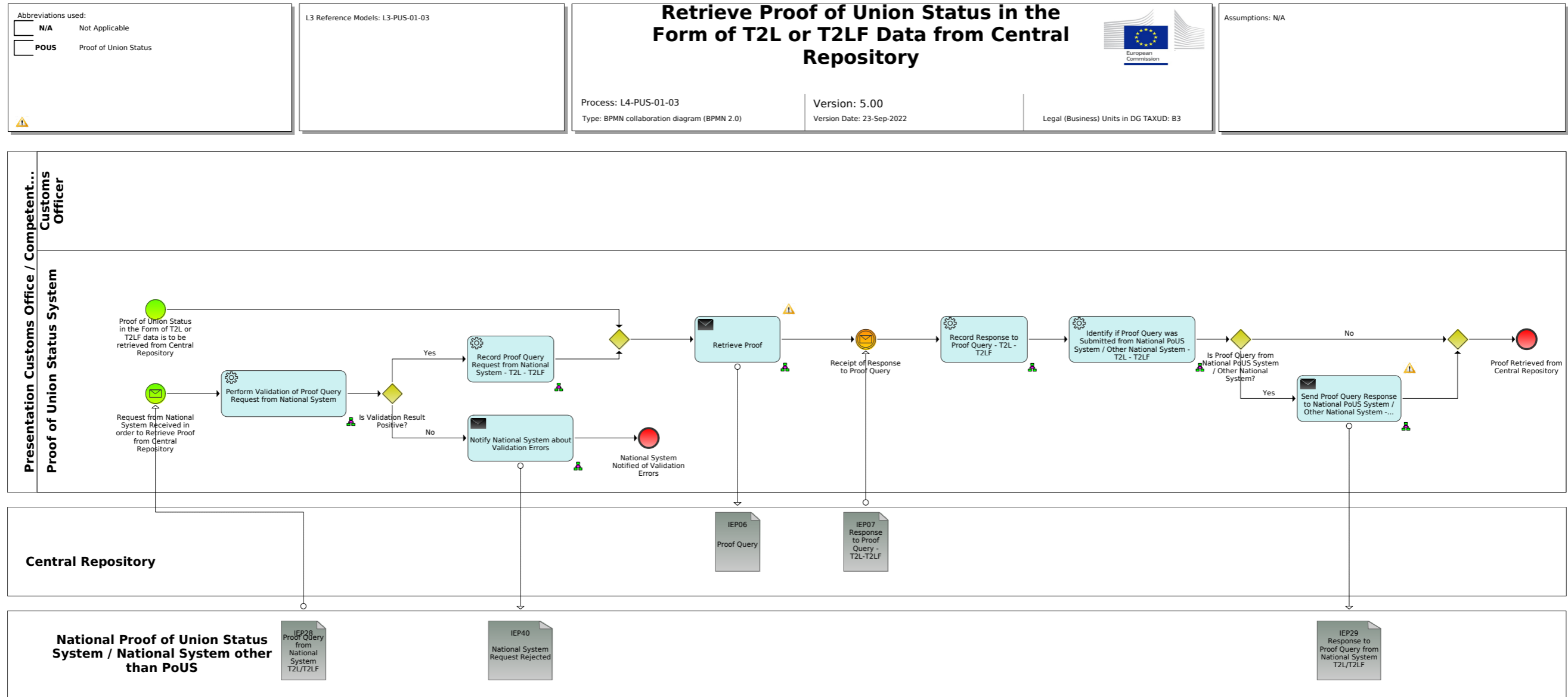




Process L4-PUS-01-02-Proof of Union Status in the Form of T2L or T2LF Data - Present Proof

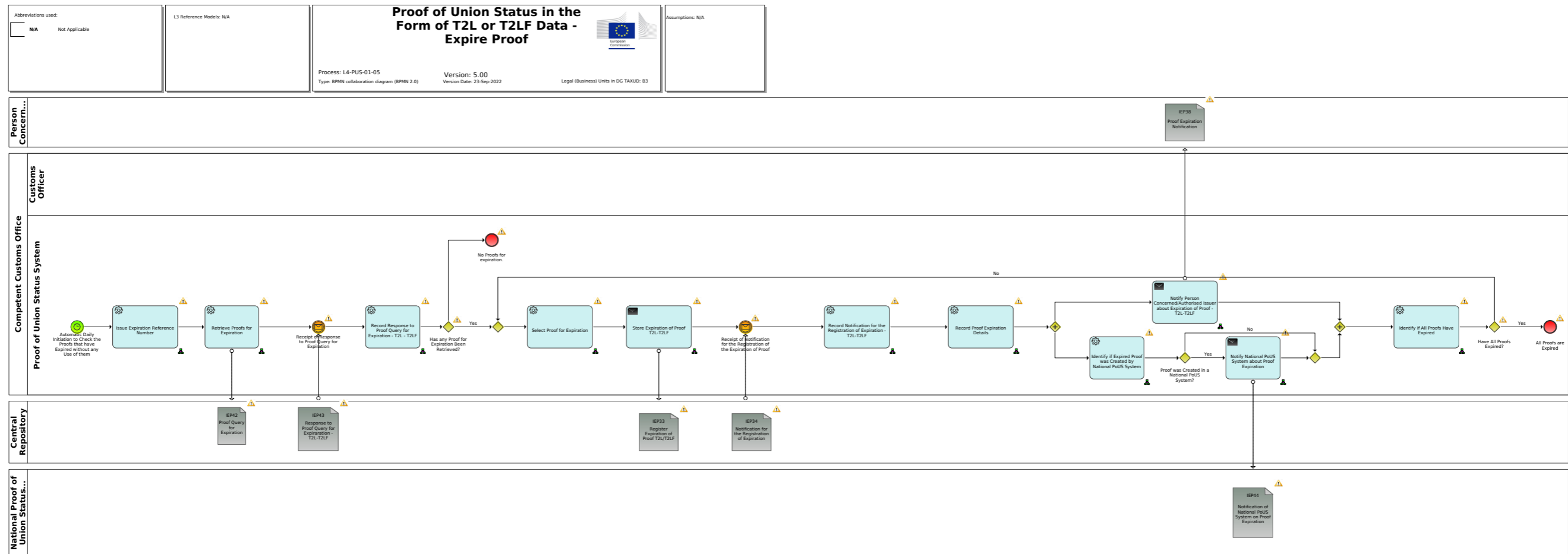


Process L4-PUS-01-03-Retrieve Proof of Union Status in the Form of T2L or T2LF Data from Central Repository



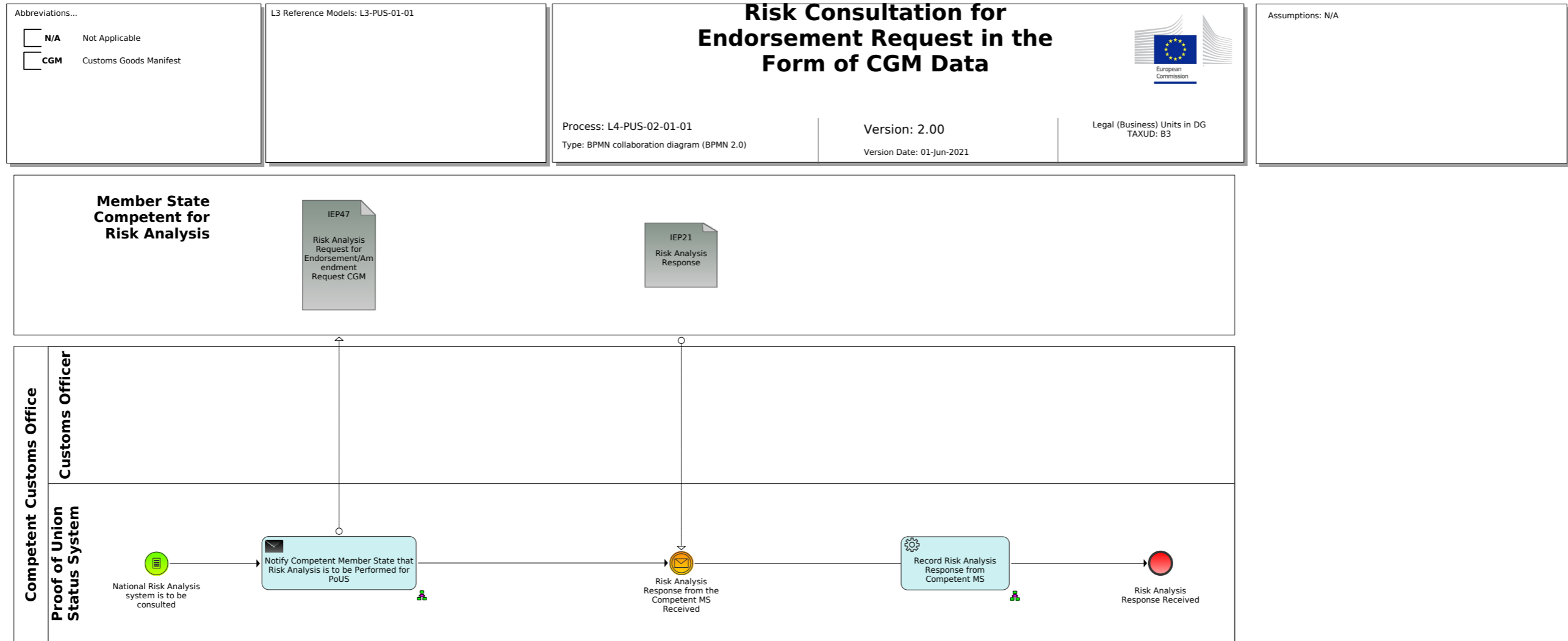


Process L4-PUS-01-05-Proof of Union Status in the Form of T2L or T2LF Data - Expire Proof

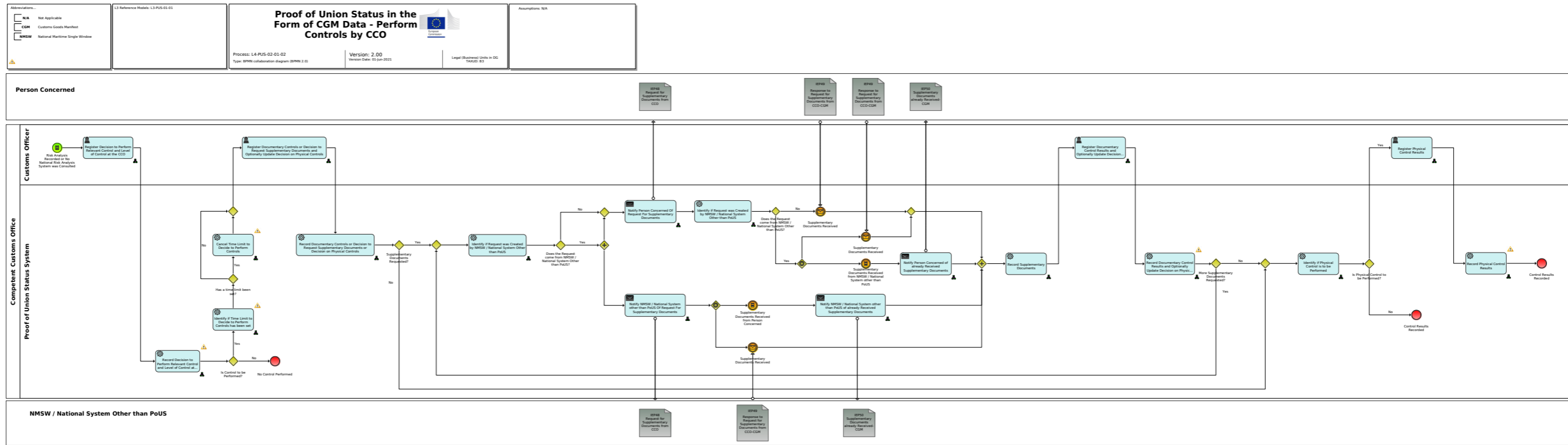




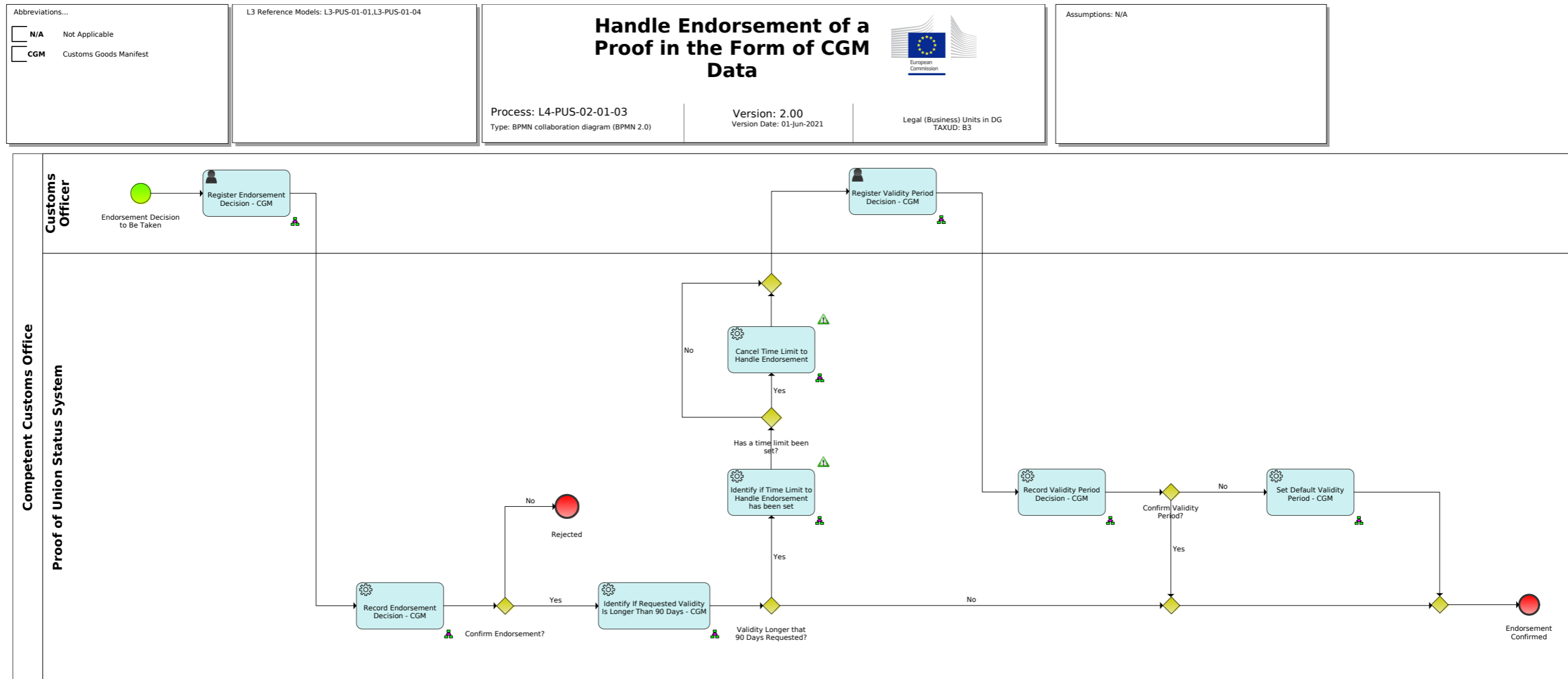
Process L4-PUS-02-01-01-Risk Consultation for Endorsement Request in the Form of CGM Data




Process L4-PUS-02-01-02-Proof of Union Status in the Form of CGM Data - Perform Controls by CCO

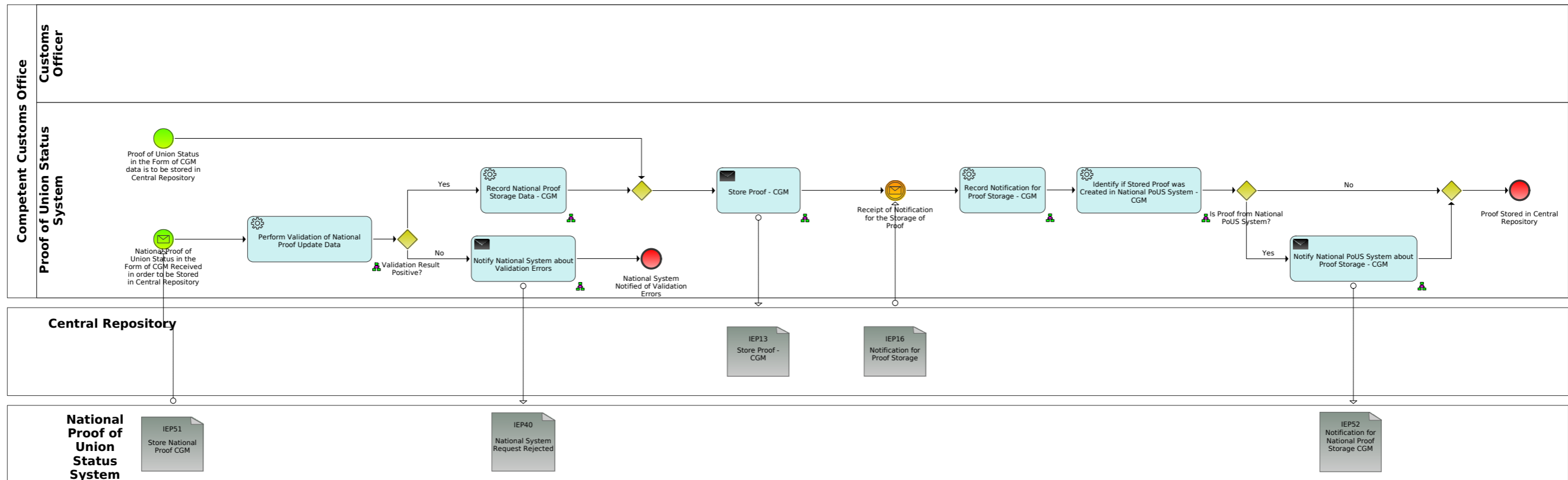


Process L4-PUS-02-01-03-Handle Endorsement of a Proof in the Form of CGM Data



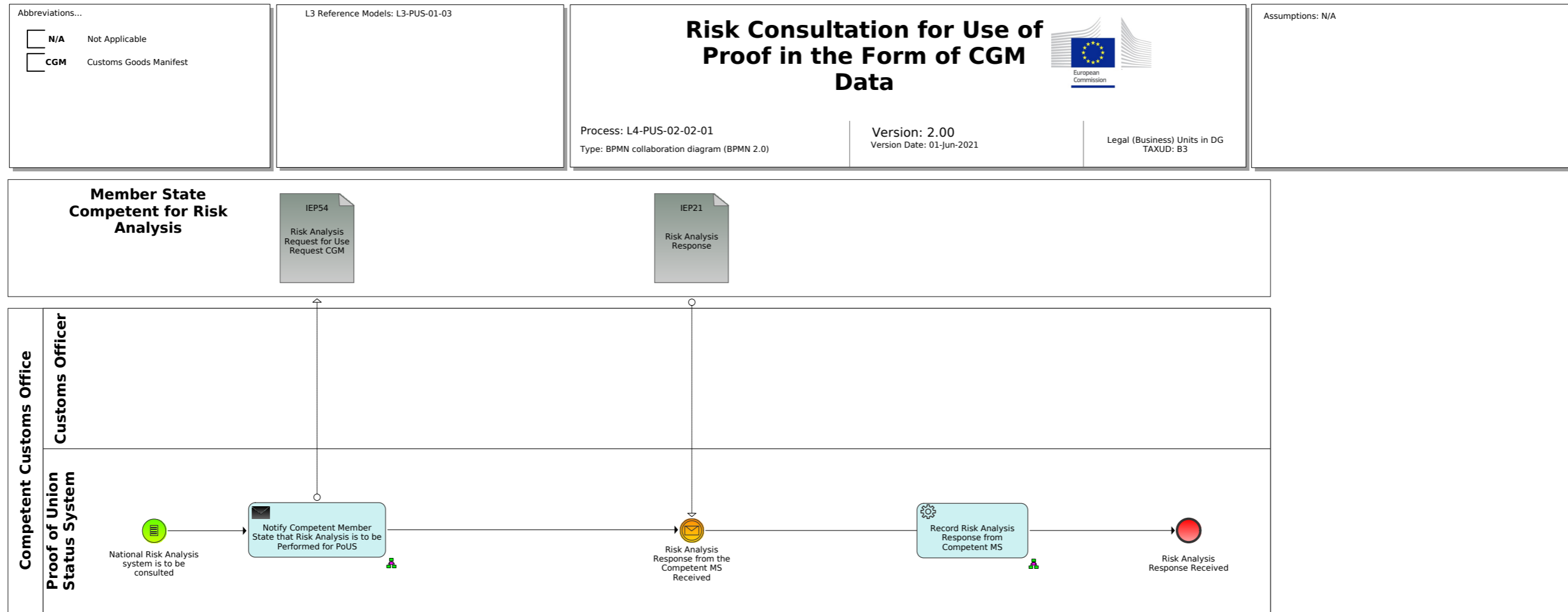
Process L4-PUS-02-01-04-Store Proof of Union Status in the Form of CGM Data in Central Repository

Abbreviations... N/A Not Applicable CGM Customs Goods Manifest	L3 Reference Models: L3-PUS-01-01	<h3>Store Proof of Union Status in the Form of CGM Data in Central Repository</h3> 		Assumptions: N/A
Process: L4-PUS-02-01-04 Type: BPMN collaboration diagram (BPMN 2.0)		Version: 2.00 Version Date: 01-jun-2021	Legal (Business) Units in DG TAXUD: B3	



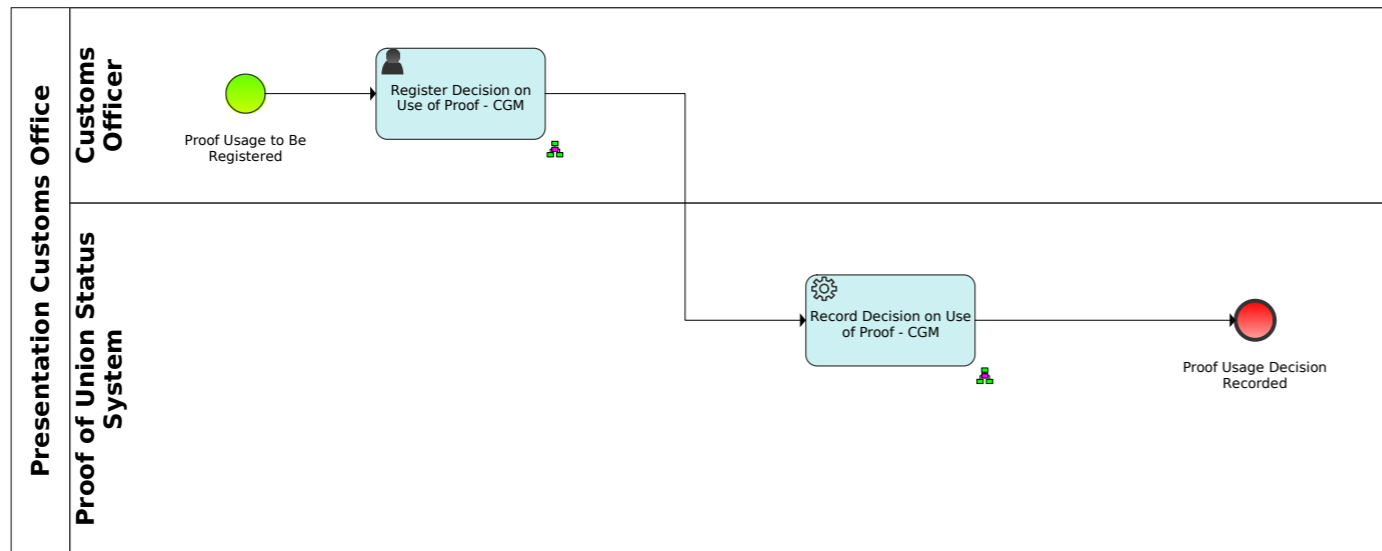


Process L4-PUS-02-02-01-Risk Consultation for Use of Proof in the Form of CGM Data

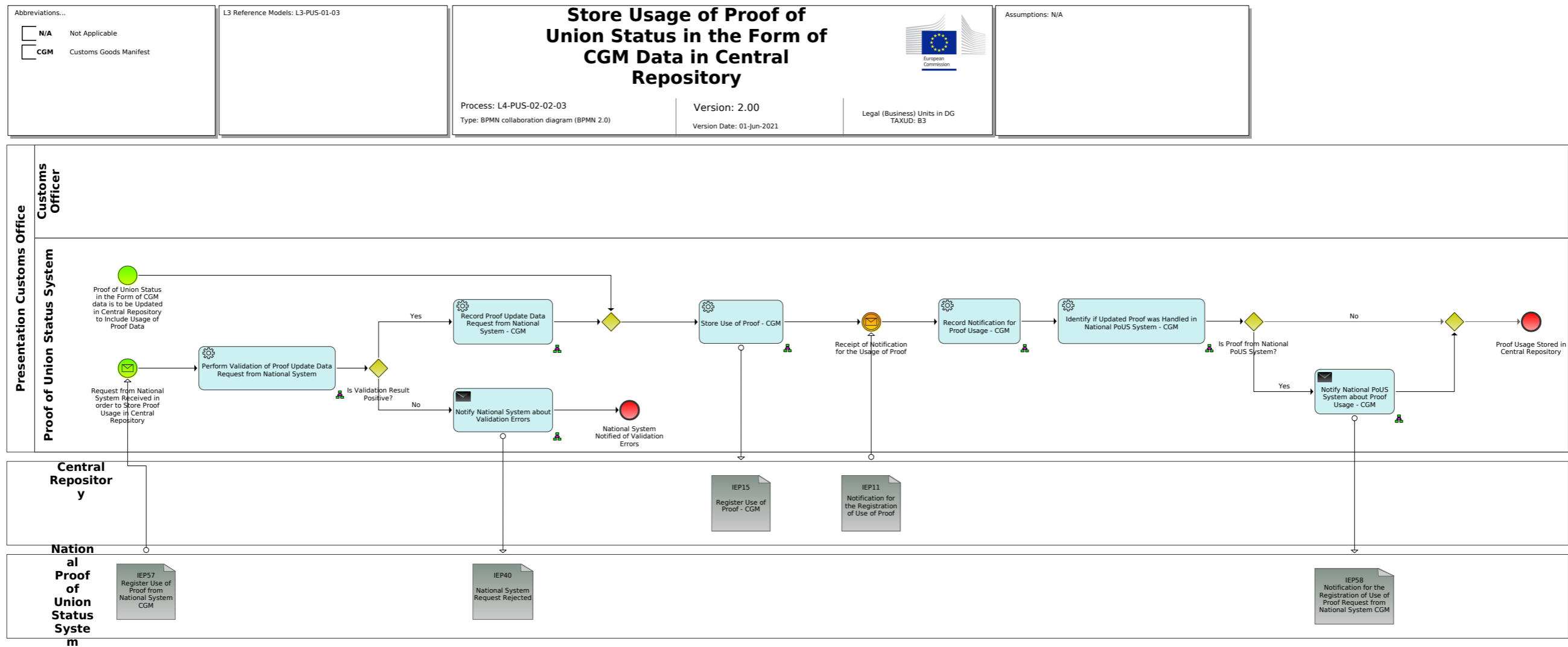


Process L4-PUS-02-02-02-Handle Proof Usage Registration in the Form of CGM Data

<p>Abbreviations used:</p> <ul style="list-style-type: none"><li>N/A Not Applicable</li><li>CGM Customs Goods Manifest</li></ul>	<p>L3 Reference Models: L3-PUS-01-03</p>	<h3 style="text-align: center;">Handle Proof Usage Registration in the Form of CGM</h3> <div style="text-align: center;"></div> <p>Process: L4-PUS-02-02-02 Type: BPMN collaboration diagram (BPMN 2.0)</p> <p>Version: 2.00 Version Date: 01-Jun-2021</p> <p>Legal (Business) Units in DG TAXUD: B3</p>		<p>Assumptions: N/A</p>
--	--	---	--	-------------------------



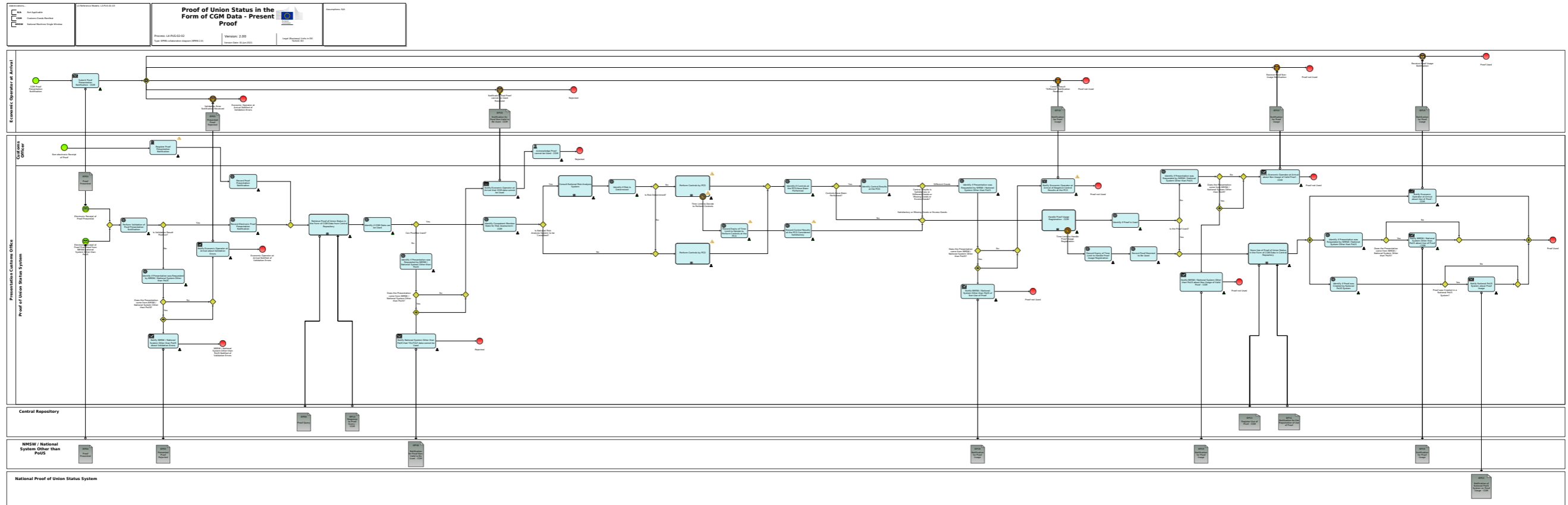
Process L4-PUS-02-02-03-Store Usage of Proof of Union Status in the Form of CGM Data in Central Repository



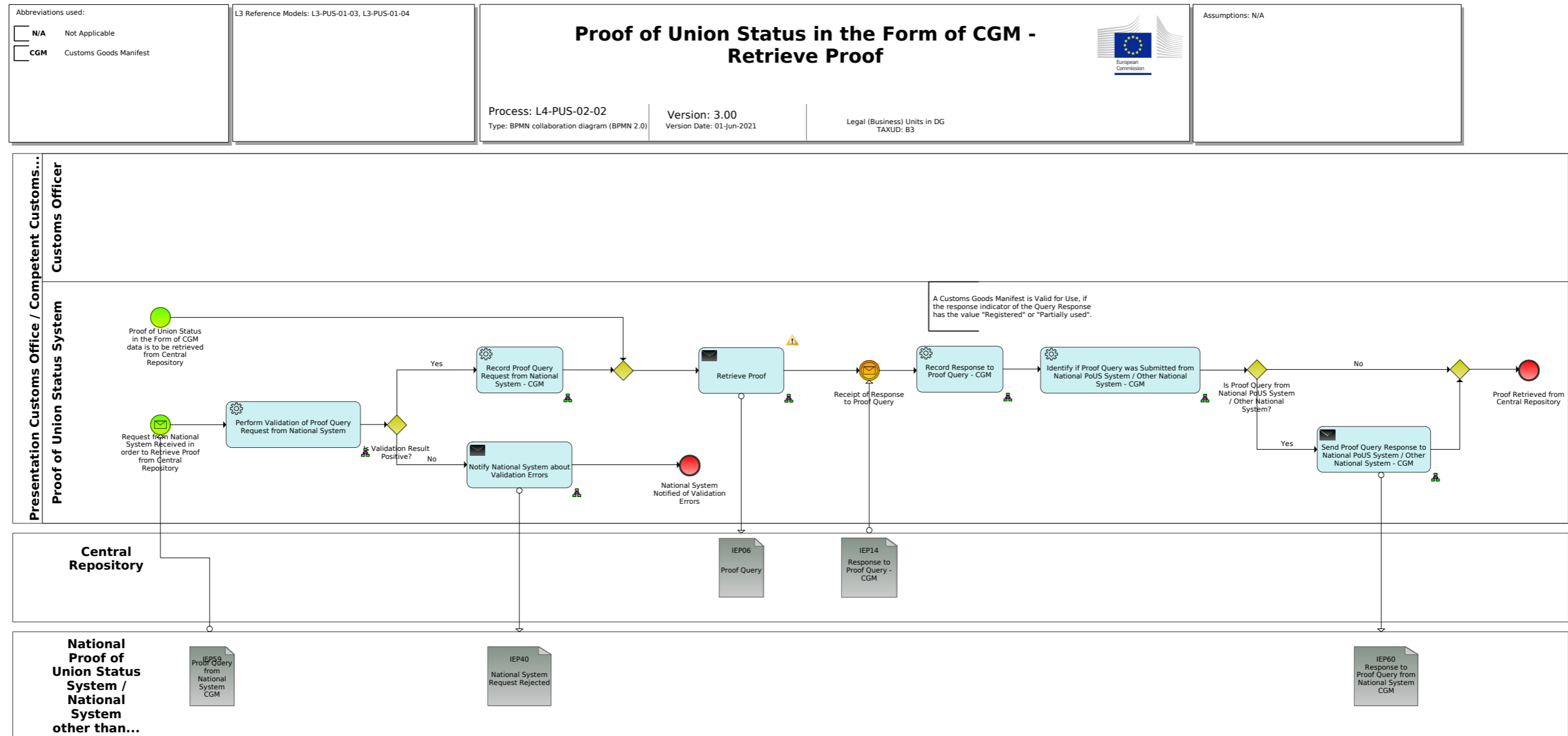




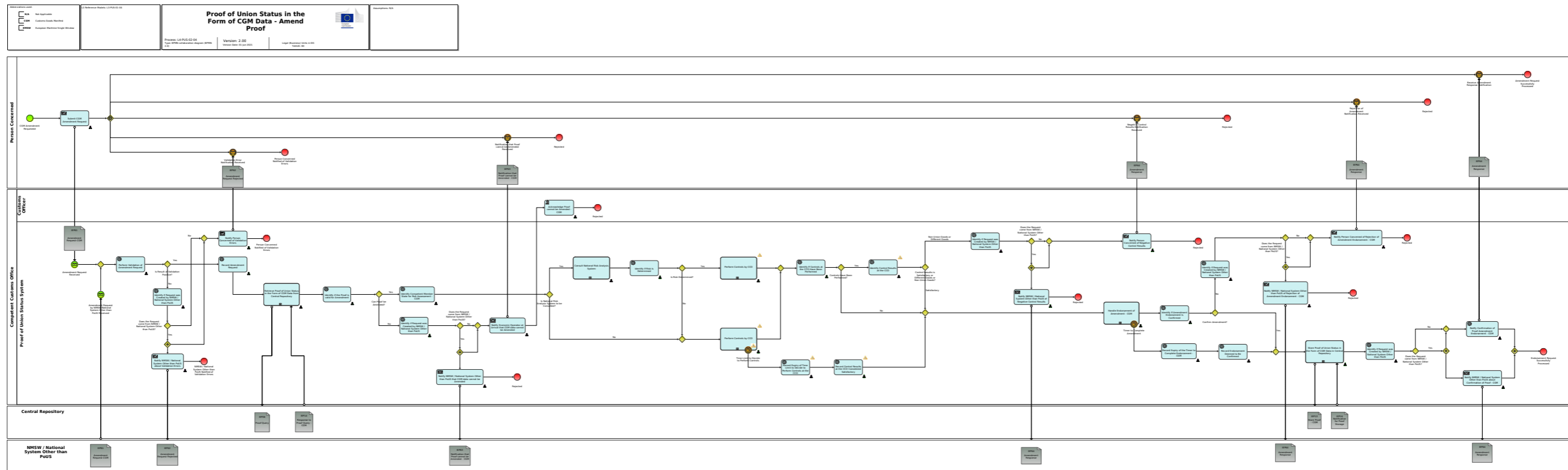
Process L4-PUS-02-02-Proof of Union Status in the Form of CGM Data - Present Proof



Process L4-PUS-02-03-Retrieve Proof of Union Status in the Form of CGM Data from Central Repository



Process L4-PUS-02-04-Proof of Union Status in the Form of CGM Data - Amend Proof





Process L4-PUS-02-06-Proof of Union Status in the Form of CGM Data - Archive Proof

